

Current refinements (click  to remove)

[Search Tips](#) 
 [Region](#)  [USA](#)  [Product Family](#)  [Ring Terminal, Vinyl Insulated – Funnel Entry](#)  [Text Search: 'PV18-8R-CY'](#)
**Your search criteria matched only one product, shown below.**


- Insulation support helps to prevent wire damage in bending applications
- Ring tongue design assures a secure connection in high vibration applications
- Brazed seam protects terminal barrel from splitting during the crimp process
- UL Flammability UL 94V-0, maximum insulation temperature 221°F (105°C)
- Internal barrel serrations assure good wire contact and maximum tensile strength
- UL and CSA rated up to 600 V per UL 486

‡UL and CSA approved tooling/product combinations.

Note: Wire sizes #26 – #22 AWG, are not UL Listed or CSA Certified.

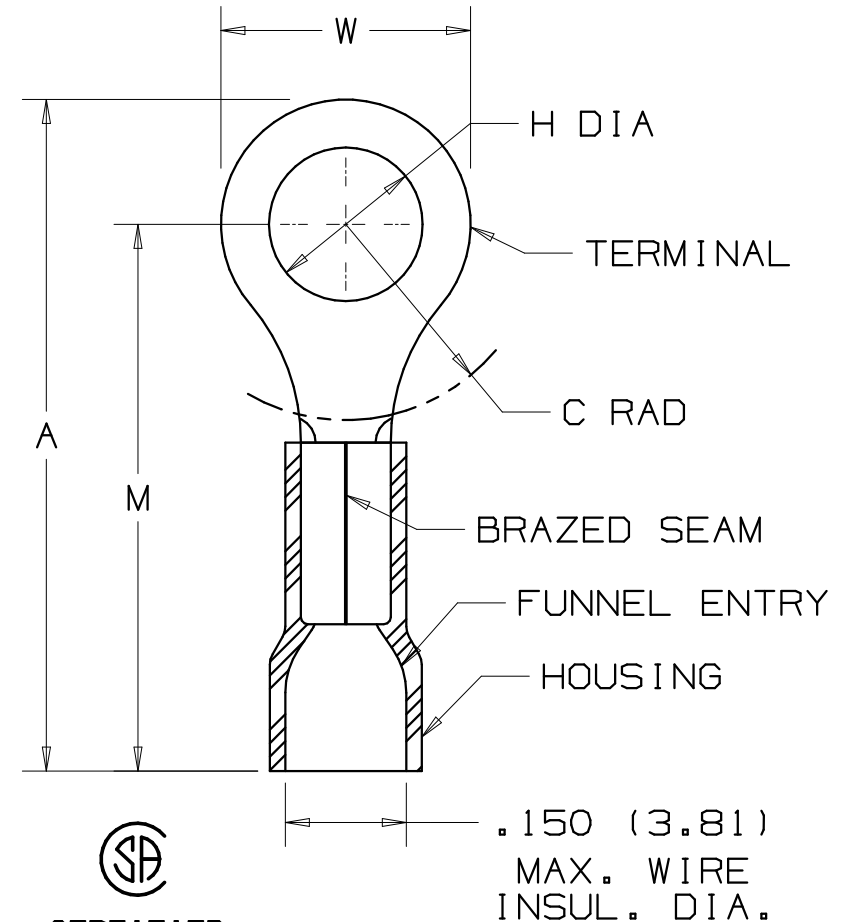
|                         |  |
|-------------------------|--|
| Part Number:            | PV18-8R-CY   |
| RoHS Compliance Status: | Compliant  |
| Note:                   | PV18-8R-CY replaces PV18-8R-C  |
| Part Description:       | Ring Terminal, 22 – 18 AWG, #8 stud size, vinyl insulated, funnel entry. |
| Product Type:           | Terminals  |
| CSA Certified:          | Yes  |
| UL Listed:              | Yes  |
| Length (In.):           | .91  |
| Width (In.):            | .31  |
| Clearance:              | .26  |
| Max. Ins.:              | .150   |
| Panduit Color Code:     | Red  |
| Stock:                  | .03  |
| Stud Size:              | #8   |
| Tool:                   | CT-100A‡, CT-600-A‡, CT-1550‡, CT-1551‡, CT-2500‡                        |
| Wire Range:             | 22 – 18 AWG  |
| Min. Order UOM:         | PC   |
| Min. Order Qty.:        | 100  |
| BOM Qty. (# of Pkgs.)   |  |

[Add to My Catalog](#)

 Please [register](#) to utilize the 'Bill of Materials', 'Submit Quotes' and 'My Catalog' features.

| PANDUIT PART NUMBER |            | STUD SIZE | DIMENSIONS in. |               |               |                |               |
|---------------------|------------|-----------|----------------|---------------|---------------|----------------|---------------|
|                     |            |           | A $\pm .03$    | W $\pm .010$  | C $\pm .02$   | M $\pm .03$    | H $\pm .010$  |
| PV18-4R             | -CY<br>-MY | #4        | .84<br>(21.3)  | .25<br>(6.4)  | .22<br>(5.6)  | .69<br>(17.5)  | .12<br>(3.1)  |
| PV18-6R             | -CY<br>-MY | #6        | .86<br>(21.8)  | .25<br>(6.4)  | .22<br>(5.6)  | .70<br>(17.8)  | .15<br>(3.8)  |
| PV18-8R             | -CY<br>-MY | #8        | .91<br>(23.1)  | .31<br>(7.9)  | .26<br>(6.6)  | .78<br>(19.8)  | .17<br>(4.3)  |
| PV18-10R            | -CY<br>-MY | #10       | .94<br>(23.9)  | .31<br>(7.9)  | .27<br>(6.9)  | .78<br>(19.8)  | .20<br>(5.1)  |
| PV18-14R            | -CY<br>-MY | 1/4"      | 1.11<br>(28.2) | .46<br>(11.7) | .37<br>(9.4)  | .88<br>(22.4)  | .27<br>(6.9)  |
| PV18-56R            | -CY<br>-MY | 5/16"     | 1.11<br>(28.2) | .46<br>(11.7) | .39<br>(9.9)  | .88<br>(22.4)  | .34<br>(8.6)  |
| PV18-38R            | -CY<br>-MY | 3/8"      | 1.19<br>(30.2) | .53<br>(13.5) | .42<br>(10.7) | .96<br>(24.4)  | .40<br>(10.2) |
| PV18-12R            | -CY        | 1/2"      | 1.42<br>(36.1) | .72<br>(18.3) | .53<br>(13.5) | 1.06<br>(26.9) | .52<br>(13.2) |

Panduit part numbers shown on this drawing meet the material requirements of RoHS (European Directive 2002/95/EC on the Restriction of Hazardous Substances) as proposed by the Technical Adaptation Committee.



**Notes:**

**1. UL LISTED & CSA CERTIFIED FOR:**

- A. 600 max voltage rating (1000 V. MAX. IN SIGNS, FIXTURES AND LUMINAIRES.)
- B. #22-16 AWG Solid or stranded copper wire range, 221°F (105°C) max temp rating with CT-500,CT-550,CT-1550 and,CT-1551 installation tools.
- C. #22-18 AWG Solid or stranded copper wire range, 167°F (75°C) max temp rating with CT-100 installation tool.

2. Wire strip length:  $5/16^{+1/32}_{-0}$  (7.9  $^{+0.8}_{-0}$ )

3. Package Quantity (Suffix to basic part no.):

- A. Standard -CY=100 B. Bulk -MY=1000

4. Material:

- A. Stamping: .032 (.81) thick tin plated copper
- B. Housing: Red vinyl

5. Dimensions in brackets are in millimeters



LISTED  
587H  
E52164



CERTIFIED  
LR31212

A41268\_10

|     |      |      |     |   |         |      |     |  |
|-----|------|------|-----|---|---------|------|-----|--|
| 10  | 3/06 | DAW  | DAW | REMOVED -C & -M, ADDED -CY AND RoHS COMPLIANCY NOTE | TRO0093 | LCA  | TRO | <p>TINLEY PARK, ILLINOIS</p> <p>#22-18 BARREL FUNNELED VINYL INSULATED RING TONGUE, .150 (3.81) MAX WIRE INSULATION DIAMETER</p> |
| 09  | 5/05 | JHNU |     | ADDED PACKAGING CODE "MY" TO DRAWING.               |         |      |     |  |
| 08  | 5/02 | SRB  | SKB | ADDED PV18-12R AND REVISED FUNNEL ENTRY             | 10231   | LA   | TRO |  |
| 07  | 4/01 | SAB  |     | ADDED PACKAGING CODES AND REMOVED PV18-6RN          | 10171   |      | TRO |  |
| REV | DATE | BY   | CHK | DESCRIPTION   | ECN #   | CUST | PM  | DRAWN BY: DAW<br>CHK'D:<br>SCALE: NONE<br>DRAWING NO.: A41268  |